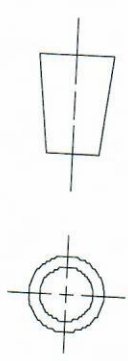
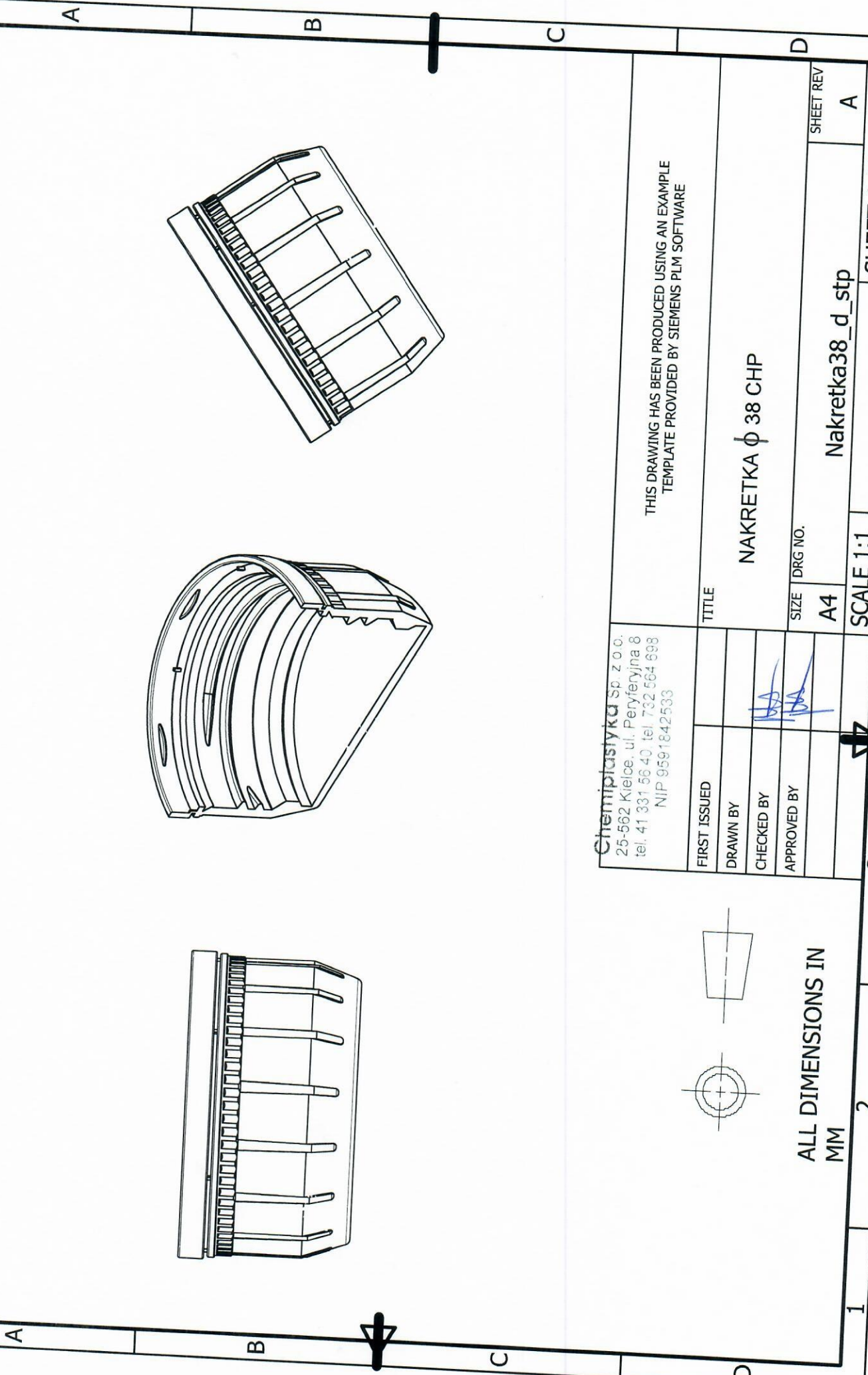


1 2 3 4 5 6

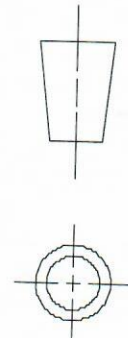
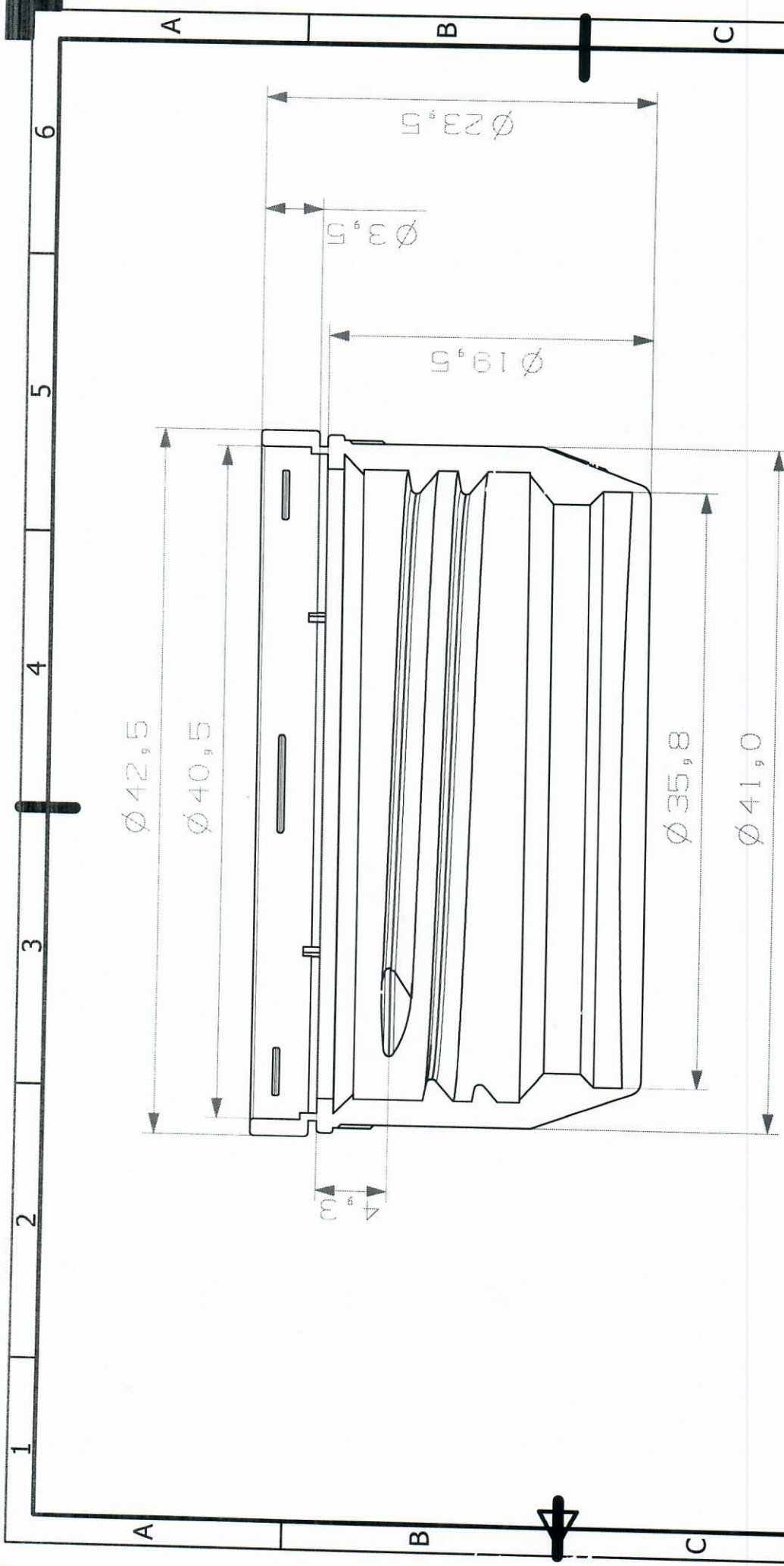


ALL DIMENSIONS IN
MM

Chemiplastyka Sp. z o.o.
25-562 Kielce, ul. Peryferyjna 8
tel. 41 331 56 40, tel. 732 564 698
NIP 9591842533

THIS DRAWING HAS BEEN PRODUCED USING AN EXAMPLE
TEMPLATE PROVIDED BY SIEMENS PLM SOFTWARE

FIRST ISSUED	TITLE	SIZE	DRG NO.	SHEET REV
DRAWN BY	NAKRETKA ϕ 38 CHP	A4		A
CHECKED BY				
APPROVED BY				
		Nakretka38_d_stp		
		SCALE 1:1		
		4		
		3		
		4		
		5		
		5		
		A4		
		SHEET 1 OF 1		



ALL DIMENSIONS IN
MM

Chemiplastyka Sp. z o.o. 25-562 Kielce, ul. Peryferyjna 8 tel. 41 331 56 40, tel. 732 564 999 NIP 9591842533		THIS DRAWING HAS BEEN PRODUCED USING AN EXAMPLE TEMPLATE PROVIDED BY SIEMENS PLM SOFTWARE	
FIRST ISSUED		TITLE	NAKRETKA \varnothing 38 CHP
DRAWN BY		SIZE	A4
CHECKED BY		DRG NO.	Nakretka38_d_stp
APPROVED BY		SCALE	1:1
		SHEET REV	A
		SHEET 1 OF 1	
		A4	